

# The world wide trend is to waterless urinals - here's why

## Cost reduction

- No costs for water or sewerage
- No mechanical or electronic parts
- Minimal cleaning, less maintenance
- Quick simple installation
- Vandal resistant

## Improved hygiene

- Touch free hygienic operation
- Odour free, clean environment
- No limescale build up
- No urine residue

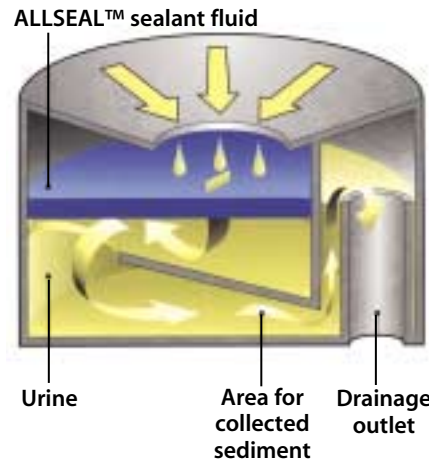
## Better for the environment

- Substantial drinking water conservation - saving typically 150 - 200m<sup>3</sup> per bowl per year
- Significantly reduced sewer emission
- Biodegradable or recyclable components

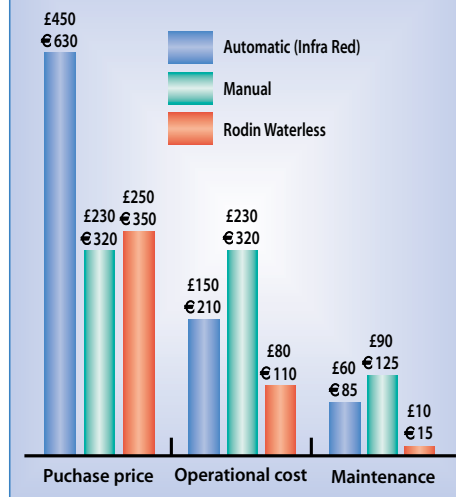
## The Sealtrap Cartridge™

The cartridge, which is made of a recyclable ABS material, is a patented, one piece unit that acts as a filter, sealant and de-odouriser in the urinal. It is primed with a specially formulated low specific gravity sealant fluid - ALLSEAL™ - which allows urine to pass through it and at the same time provides an airtight membrane which completely prevents odour from the urine or the foul drain from entering the washroom. The cartridge is also designed to settle out most solids natural to urine, thereby significantly reducing limescale, sediment build up and blockages in the outflow pipes.

The Sealtrap Cartridge typically deals with 7000 usages and can be replaced in seconds using the simple key and disposal bag provided. On average the cartridge is replaced 2 - 4 times per year depending on frequency of usage.



## Comparative costs (approx.)



Waterless ROD UK1



Waterless ROD UK22 (Mini)

The Rodin waterless urinal system uses dimensionally accurate and stable GRP mouldings to ensure the precision fit required between bowl and The Sealtrap Cartridge, which is essential for odour free operation and maximum hygiene in the washroom. The surface of the urinal bowl incorporates a urine repellent enriched silicone gel surface treatment which allows urine to drain from the bowl without trace.

## Colour ways

White urinals are standard and conventional. Our fibreglass urinals are individually constructed; this allows small quantities to be made in colour to compliment the environment in which they will be sited. They can also be produced to match corporate or club colours for example.

Standard colour  
White



Standard Granite  
Black, Grey, White



Custom colours RAL spectrum



## Questions and answers

### How can a fibreglass urinal bowl be hygienic without the use of water?

The German government approval agency (LGA) chose several public sites each of which contained either regular flush urinals or fibreglass waterless urinals and conducted a standardised bacterial count per 100cm<sup>2</sup> on both types of urinal. The results found that the fibreglass

waterless urinals had a significantly lower bacteria count on the surface of the bowl than flush urinals. Water provides a breeding ground for bacteria, fibreglass waterless urinals help prevent harbouring and growth of bacteria.

### Does the urinal emit an unpleasant odour?

The absence of water prevents the chemical reaction between urine and water which produces ammonia oxide and results in the strong odour associated with urinals.

### Is the sealant fluid safe and how do I dispose of the cartridge?

The German agency, LGA, has confirmed that the Allseal™ fluid

used in the cartridge is completely bio-degradable and the German Ministry of the Environment has determined the Water Risk Class to be one. The fluid is further classified by IATA as safe to transport by land, sea and air.

The cartridge is made of recyclable ABS plastic and can be disposed of in landfill sites subject to local regulations.

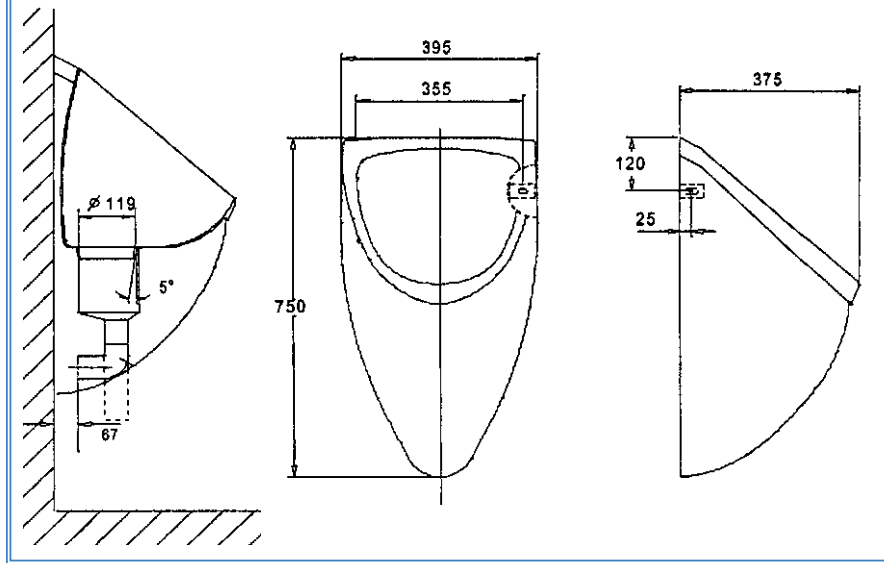


The Rodin Waterless System

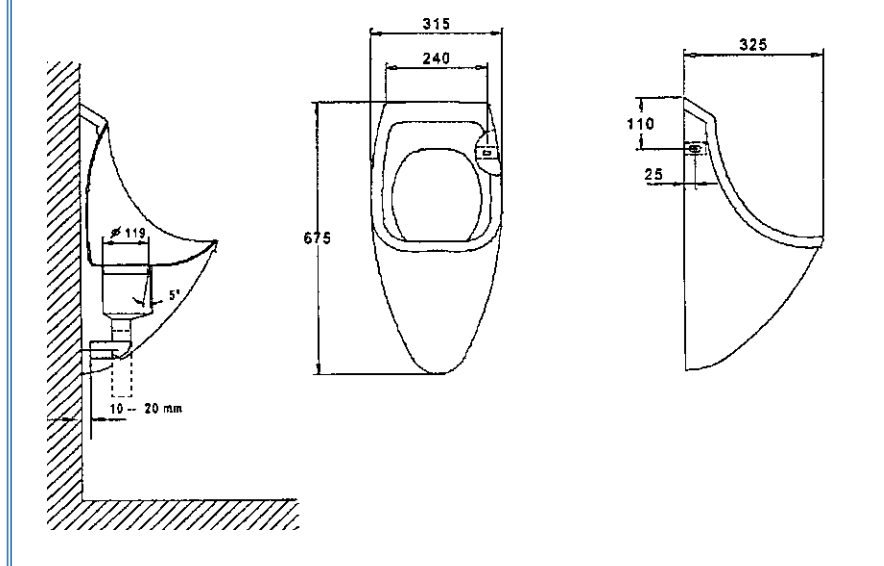


## Installation and technical data

Model Waterless Urinal ROD UK1



Model Waterless Urinal ROD UKM22 (Mini)



### Good Housekeeping

The urinal you have installed requires no water to flush.

### Pre installation

Make sure that the drainpipes are clean prior to installation.

Remove any U or S - traps or any other conventional siphons.

Make sure that the drainage piping has a sufficient angle (>5°).

### Cleaning

The urinal should be cleaned at regular intervals.

DO NOT use aggressive detergents or any other chemicals.

DO NOT flush waste water down the urinal.

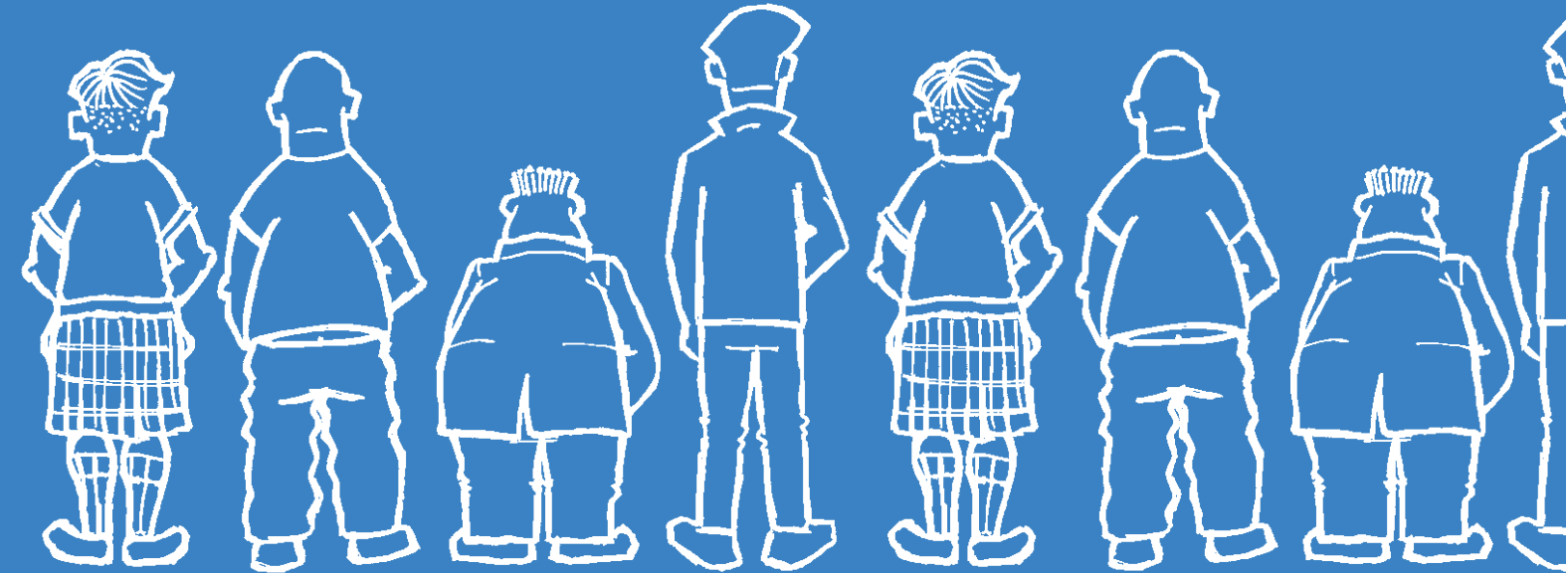
### Cartridge lifecycle

Normally the cartridge should be changed 2 - 4 times per year (depending on usage)

If urine does not flow through the cartridge (blocked) it must be changed.

Replacement cartridges are supplied by The Rodin Group Ltd.

# Half the population wastes a lot of drinking water



## Waterless urinals reduce costs - conserve water and improve hygiene



The Rodin Group Ltd  
61 Silverdale  
New Milton  
Hampshire BH25 7DE  
Tel: 01425 622581  
Fax: 01425 629220  
email:the\_rodin\_group@compuserve.com