

V200/V210 Polymer

Product Specification

Volumetric cold water meters



Moulding the future...

Elster is a world-leader in metering technology, with a global reputation for innovation and quality. We are now introducing the V200 and V210 polymer meters, with unsurpassed metering performance, designed to comply with all future water quality and environmental requirements.

Shaped by the past...

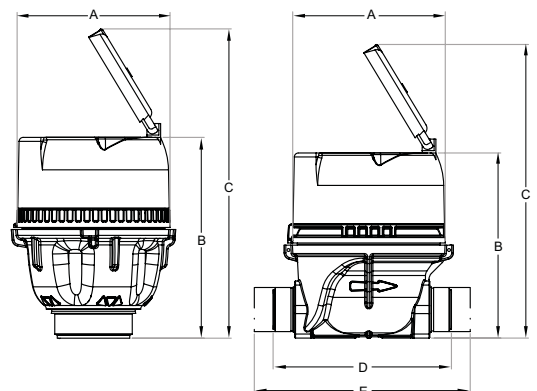
Since the early 1980's Elster has pioneered the manufacture of polymer bodied water meters, with over a million meters installed in some of the harshest environments worldwide. Developing on this unrivalled expertise, the V200 and V210 polymer meters are able to offer real benefits during installation and operation.

Flow Performance to Directive 2004/22/EC, EN14154, OIML R49 and ISO4064

		V210	V210	V200	V200
Nominal Pipe Diameter DN	mm	15	15	15	15
Permanent Flow Q3	m ³ /h	2.5	2.5	2.5	2.5
Flow Range (R) Q3/Q1		400	250	400	160
Minimum Flow Q1	l/h	6.25	10	6.25	16
Transitional Flow Q2	l/h	10	16	10	25
Overload Flow Q4	m ³ /h	3.125	3.125	3.125	3.125
Starting Flow (approx)	l/h	0.5	0.5	0.5	0.5

Technical Characteristics

		V210	V200
Nominal Diameter DN	mm	15	15
Thread Size	in	G1 1/2"	G 3/4"
Diameter A	mm	94	94
Height B	mm	124	114
Height with lid open C	mm	204	194
Length D	mm	n/a	110, 115, 134, 165, 170
Install Length E	mm	n/a	195, 200, 228, 250, 255
Weight (approx)	kg	0.48	0.48
Indicating Range	m ³	99,999	99,999
Max. Water temperature MAT	°C	30	30
Max. Water Pressure MAP	bar	16	16
Max. Pressure Loss at Q3	bar	0.63	0.63



Register Options

Standard

Hermetically sealed copper can with mineral glass. Reed switch and bi-directional inductive pulse output available for integration with an Emeris AMR system.

inVISION™

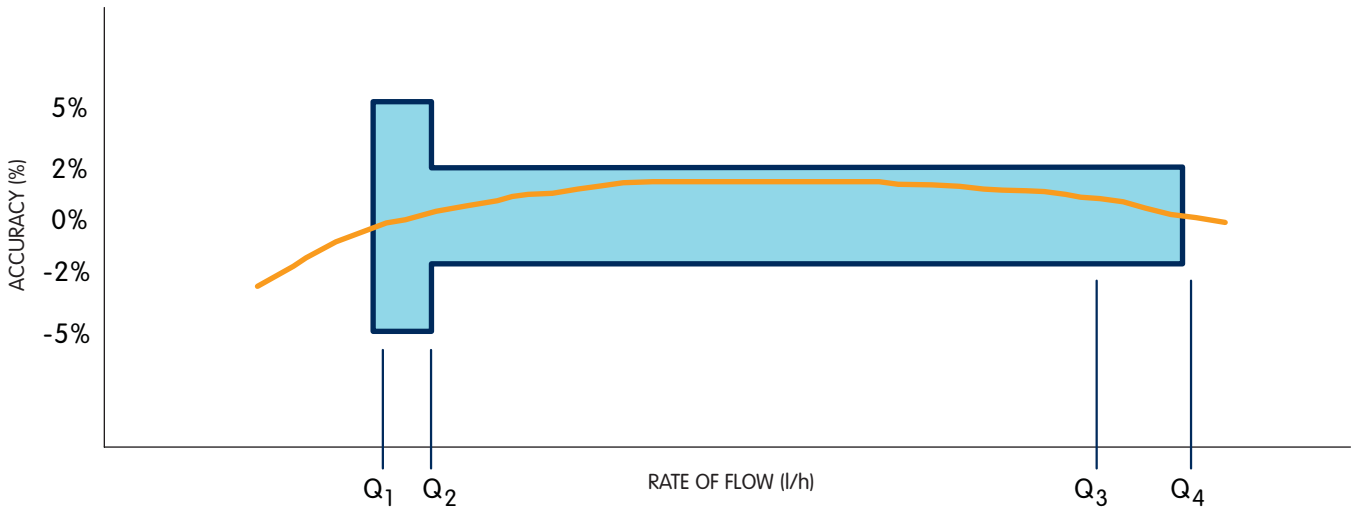
Hermetically sealed copper can with mineral glass. Non-contact absolute encoder for intergration with an Emeris AMR system.



V200/V210 Polymer

Volumetric cold water meters

Typical Accuracy Curve



The Company's policy is one of continuous improvement and the right is reserved to modify the specifications without notice.

Pressure equipment directive 97/23/EC.

This product is applicable in networks for the supply, distribution and discharge of water and associated equipment and is therefore exempt.