

# V200 and V210

## Volumetric cold water meters

## Product specification



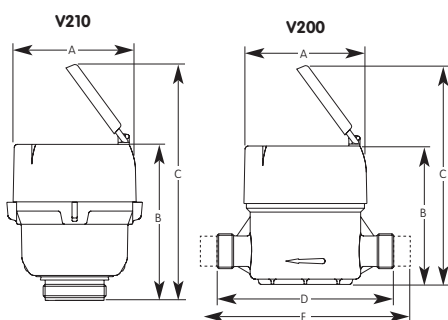
### Specification Class D to BS5728 and ISO4064

Class D							
Meter code			V200	V200	V210	V210	V210
Meter thread size		in	G $\frac{3}{4}$ "A	G1"A	G1 $\frac{1}{2}$ "A	G1 $\frac{1}{2}$ "A	G2"A
Overload flow rate	qs $\pm$ 2%	m <sup>3</sup> /h	3	5	3	5	7
Permanent flow rate	qp $\pm$ 2%	m <sup>3</sup> /h	1.5	2.5	1.5	2.5	3.5
Transitional flow rate	qt $\pm$ 2%	l/h	11.5	28.75	11.5	28.75	40.25
Minimum flow rate	qmin $\pm$ 5%	l/h	7.5	18.75	7.5	18.75	26.25
Starting flow (approximately)		l/h	2	2	2	2	3
All models	Headloss at qs less than 1 bar. Headloss at qp less than 0.25 bar. Maximum water temperature 50°C. Maximum working pressure 16 bar. Maximum registration 99.999.99m <sup>3</sup> .						

### Specification Class C to BS5728 and ISO4064

Class C							
Meter code			V200	V200	V210	V210	V210
Meter thread size		in	G $\frac{3}{4}$ "A	G1"A	G1 $\frac{1}{2}$ "A	G1 $\frac{1}{2}$ "A	G2"A
Overload flow rate	qs $\pm$ 2%	m <sup>3</sup> /h	3	5	3	5	7
Permanent flow rate	qp $\pm$ 2%	m <sup>3</sup> /h	1.5	2.5	1.5	2.5	3.5
Transitional flow rate	qt $\pm$ 2%	l/h	22.5	37.5	22.5	37.5	52.5
Minimum flow rate	qmin $\pm$ 5%	l/h	15	25	15	25	35
Starting flow (approximately)		l/h	2	2	2	2	3
All models	Headloss at qs less than 1 bar. Headloss at qp less than 0.25 bar. Maximum water temperature 50°C. Maximum working pressure 16 bar. Maximum registration 99.999.99m <sup>3</sup> .						

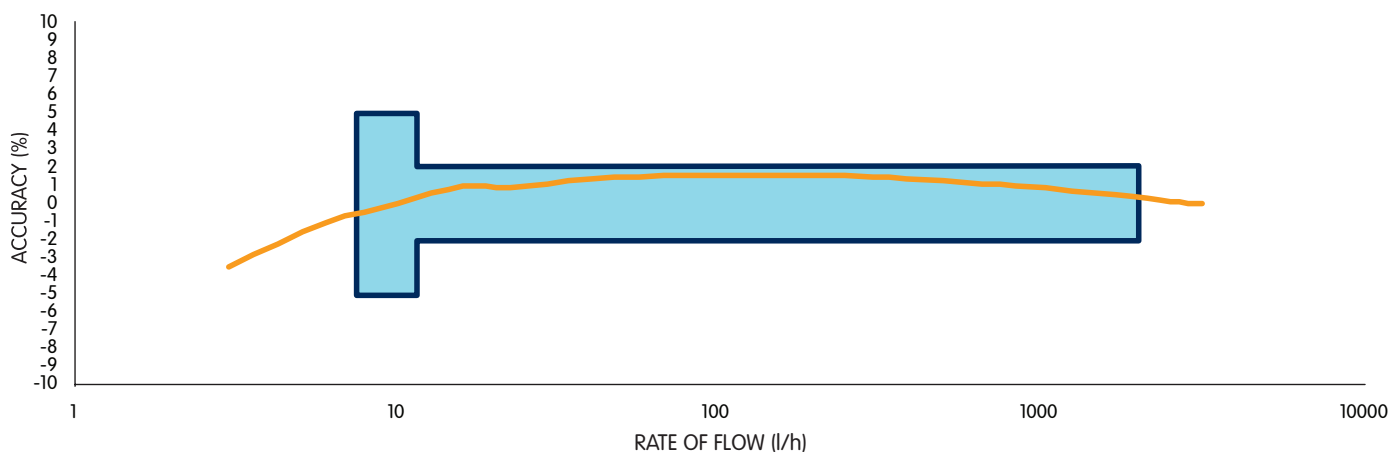
Meter description		V200 Qp 1.0 & 1.5	V200 Qp 2.5	V210 Qp 1.0 & 1.5	V210 Qp 2.5	V210 Qp 3.5
Meter diameter (A)	mm	94	94	94	94	130.5
Height of meter (B)	mm	113	111	126	136	142
Height of meter - (lid open) (C)	mm	180	177	193	203	209
Meter lengths (D)	mm	110, 115, 134, 165	165, 190	N/A	N/A	N/A
Height of meter with encoder	mm	127	125	140	150	156
Length over connections (E)	mm	195, 200, 228, 250	263, 288	N/A	N/A	N/A
Weight (approximately)	kg	0.95	1.2, 1.26	0.92	1.04	1.85
Height with bi-directional pulser = B + 10mm						



Register options		
Meter description	Inductive	Encoder
V210 (N1, N 1.5, N 2.5)	1 Pulse/litre	Full reading in m <sup>3</sup>
V200 (N1, N 1.5, N 2.5)	1 Pulse/litre	Full reading in m <sup>3</sup>
V210 (N3.5)	1 Pulse/litre	Full reading in m <sup>3</sup>

Accuracy curve shown overleaf.

Typical accuracy curve



Elster Water Metering Limited  
 130 Camford Way, Sundon Park  
 Luton, Bedfordshire, LU3 3AN  
 United Kingdom  
 T: +44 (0)1582 846400  
 F: +44 (0)1582 564728  
 water.metering@elster.com

Pressure equipment directive 97/23/EC.  
 This product is applicable in networks for supply, distribution  
 and discharge of water and associated equipment and is  
 therefore exempt.

© 2014 by Elster Water Metering Ltd. All rights reserved.  
 The company's policy is one of continuous product  
 improvement and the right is reserved to modify the  
 specifications contained herein without notice.