



F78TS

Reverse rinsing fine filter with flanges

Product specification sheet



Application

F78TS flanged reverse rinsing filters are for installations with high water demand. They can be used in large residential buildings, for central water supply and in commercial or industrial applications. F78TS flanged filters have the same highly efficient reverse rinsing filtering system as the range of household fine filters. The F78TS can be retrofitted with the Z11AS fully automatic reverse rinsing actuator and the DDS76 differential pressure switch. The use of a filter in a system prevents the ingress of foreign bodies, for example rust particles, strands of hemp and grains of sand.

Special Features

- DIN/DVGW-certified for connection sizes DN65-DN100
- Filtered water supplied even during reverse rinsing
- Filter insert fully replaceable
- Patented reverse rinsing system - fast and thorough cleaning of the filter
- Fully automatic reverse rinsing with retrofittable automatic reverse rinsing actuator
- Differential pressure switch can be retrofitted
- Memory indicator shows when next manual reverse rinsing is due
- Polyamide coating gives high level of corrosion protection
- Forced flow provides optimal water exchange in the filter bowl
- Meets KTW regulations for potable water
- Discharge of the reverse rinsed water according EN1717

Range of Application

Medium Water

The filter is constructed for drinking water installations. In case of a process water application the filter has to be proven individually.

Technical Data

Installation position	Horizontal, with filter bowl downwards
Nominal pressure	PN16
Operating pressure	Min. 1,5 bar Max. 16,0 bar
Operating temperature	Max. 40°C
Connection size	
Single filter	DN 65 - DN 125
2 filters parallel	2 x DN80 2 x DN100

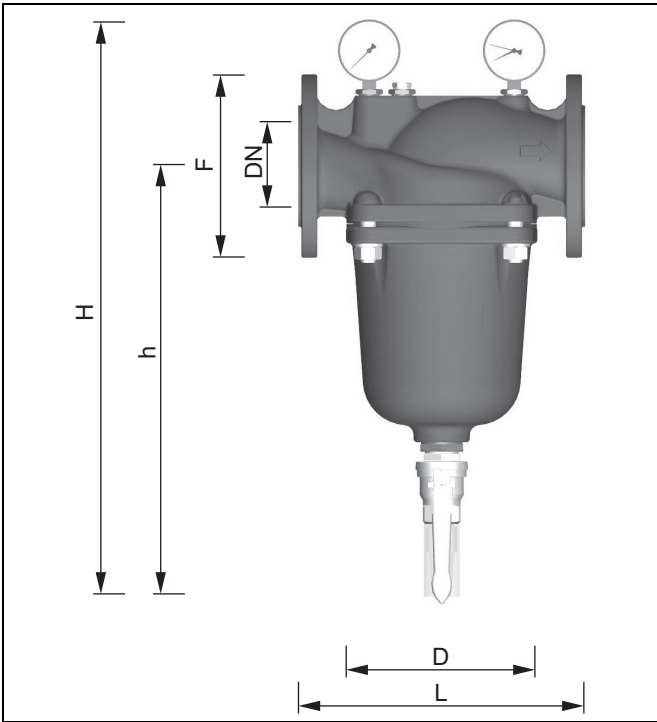
Construction

The fine filter comprises:

- Housing with pressure gauge ports (1x inlet, 2x outlet)
- 2 pressure gauges (1x inlet, 1x outlet including memory indicator)
- PN 16 flanges to EN 1092-2
- Fine filter
- Filter bowl
- Ball valve with lever and drain funnel

Materials

- Housing and filter bowl made of ductile cast iron (EN-GJS-400-15), coated with PA (polyamide)
- Inner parts made of stainless steel, red bronze, brass and plastic
- Fine filter made of stainless steel



Method of Operation

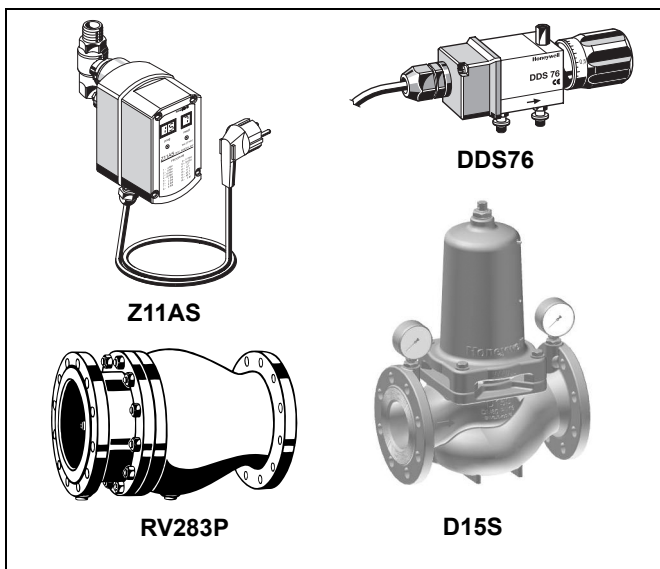
The filter insert is divided into two parts. In the „filtering“ position, only the lower, larger section is used for filtering. The small upper section does not come in contact with unfiltered water. An oscillating flap integrated in the sieve prevents the deposition of dirt particles on the upper part of the filter.

When the ball valve is opened for reverse rinsing, then the whole filter insert is pushed downwards until the water supply to the outer side of the main filter is stopped. Simultaneously, the water flow is opened to the upper part of the filter. The water needed for cleaning the filter passes through the upper filter section, then the rotating impeller with jets and the main filter from inside to outside, i.e. the filter is reverse rinsed with filtered water. The filter automatically switches back to the operating position when the ball valve is closed again.

Options

- F78TS-...FA = Filter mesh size 100 µm
- F78TS-...FB = Filter mesh size 20 µm
- F78TS-...FC = Filter mesh size 50 µm
- F78TS-...FD = Filter mesh size 200 µm
- Connection size DN65/80/100
- F78TS-125ZFA = Filter mesh size 100 µm

		Single filter				2 filters parallel		
Connection size	DN	65	80	100	125	80	100	
Weight	approx. kg	25	35	43	65	n.a.	n.a.	
Dimensions	mm							
	L	290	310	350	514	n.a.	n.a.	
	H	581	665	767	767	n.a.	n.a.	
	h	434	508	610	610	n.a.	n.a.	
	D	193	230	247	247	n.a.	n.a.	
	F	185	200	220	250	n.a.	n.a.	
Flow value at	m ³ /h							
Δp = 0.2 bar		30	48	60	60	96	120	
Δp = 0.5 bar		48	78	100	100	156	200	
k _{vs} -value		69	113	145	145	226	290	
DIN/DVGW Registration No.		requested				-	-	-



Accessories

Z11AS Automatic reverse rinsing actuator

For automatic reverse rinsing of the filter at presettable intervals

DDS76 Differential pressure switch

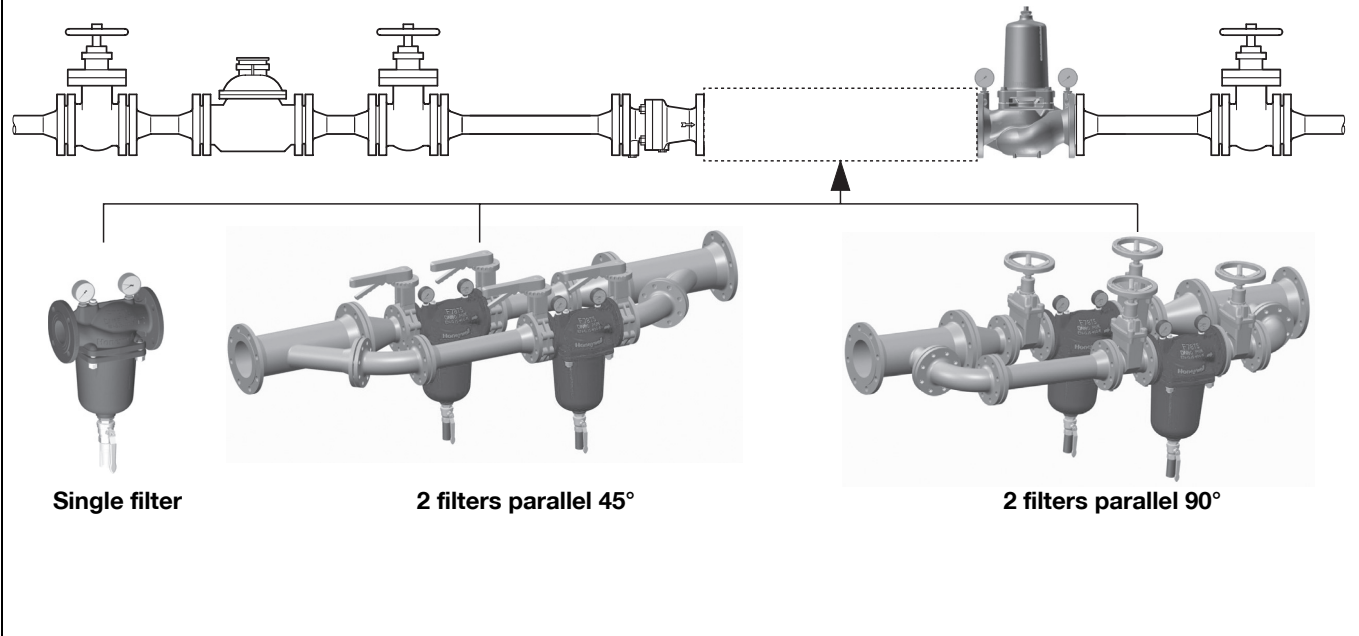
D15S Diaphragm-actuated pressure reducing valve with patented cartridge solution

Housing made of ductile cast iron (EN-GJS-400-15 EN1563), coated with PA (polyamide)
Available in sizes DN 65 - 100

RV283P Check valve

Grey cast iron housing, coated with PA (polyamide) inside and outside. DIN/DVGW tested in compulsory test sizes DN 65, DN 80 and DN 100

Installation Example



Installation Guidelines

- Install in horizontal pipework with filter bowl downwards
 - This position ensures optimum filter efficiency
- Install shutoff valves
 - Pressure gauges can be read off easily
 - Simplifies maintenance and inspection
- The installation location should be protected against frost
- Fit immediately after water meter
 - Corresponds to EN 806-2

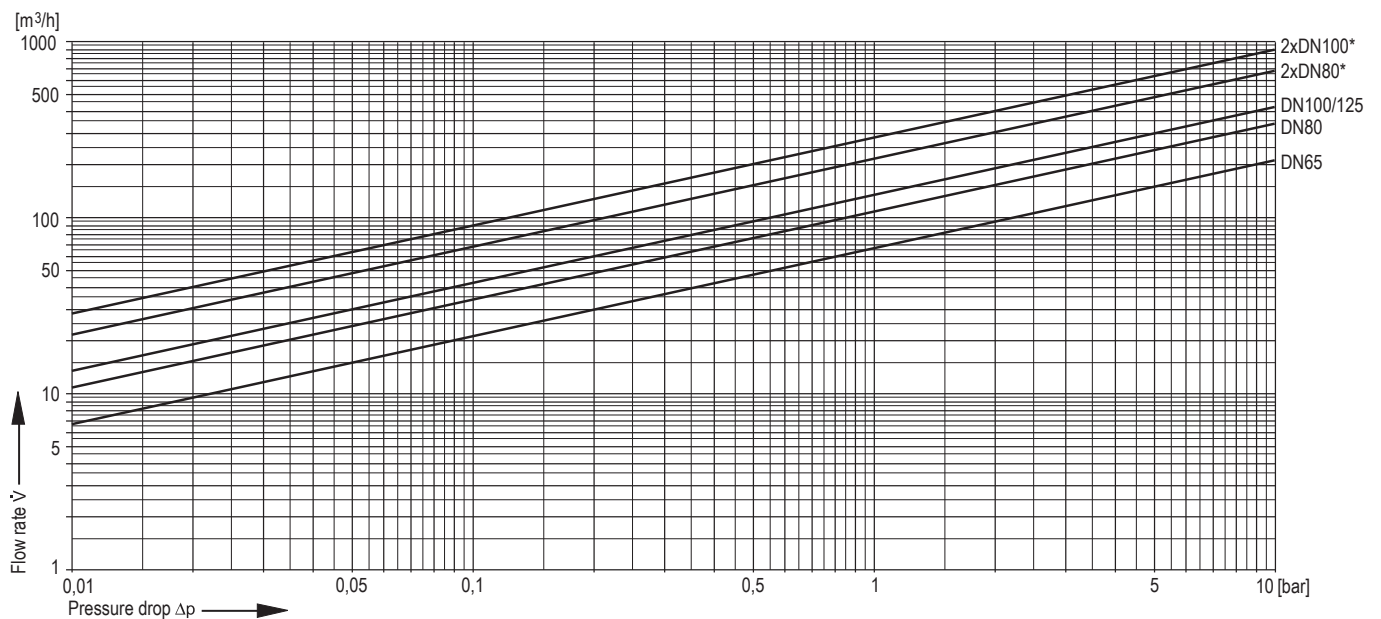
Typical Applications

Fine filters of this type are suitable for large residential buildings, commercial and industrial applications and for central water supply systems within the limits of their specifications.

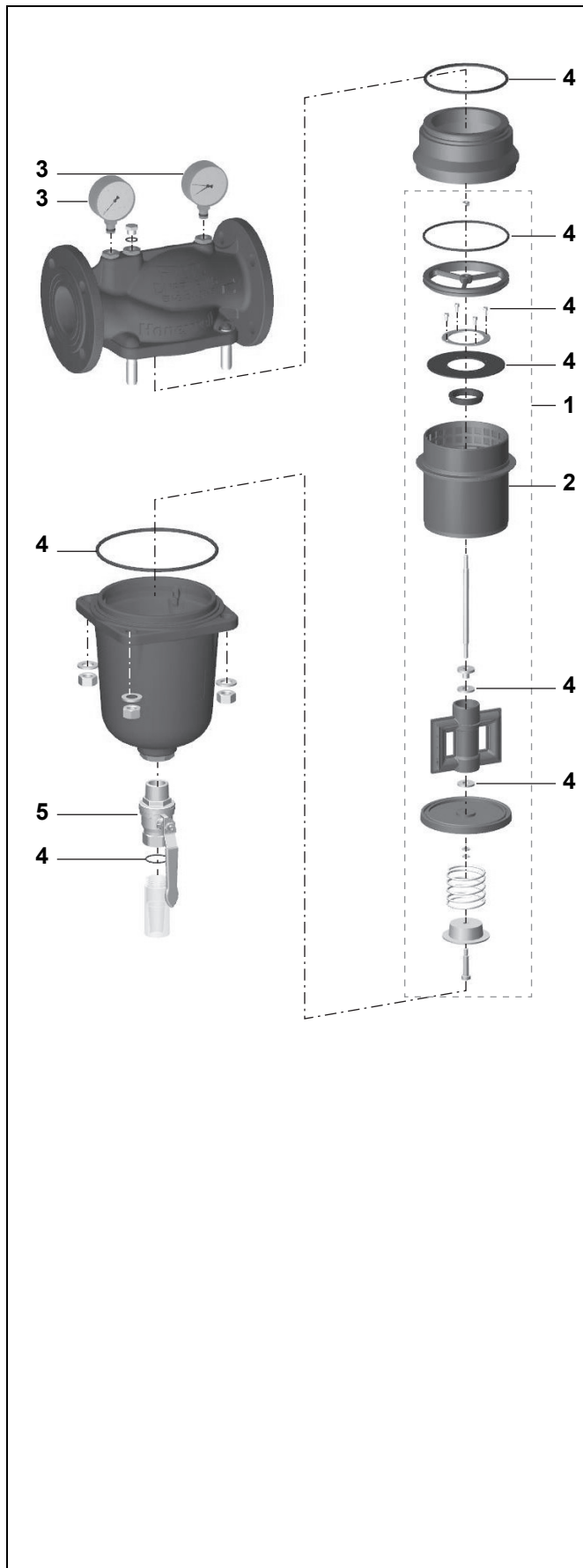
Fine filters of this type are installed:

- Where metal or plastic pipe-work exists
- In transfer points of central water supply systems if drainage is available
- If the downstream system includes appliances which must be protected against dirt

Flow Diagram



* 2 filters parallel



Spare Parts

F78TS Fine Filters with Flanges (from 2015 onwards)

No.	Description	Dimension	Part No.
1	Filter insert complete	DN 65	AF78TS-065A
		DN 80	AF78TS-080A
		DN 100	AF78TS-100A
	Filter mesh 50 µm	DN 65	AF78TS-065C
		DN 80	AF78TS-080C
		DN 100	AF78TS-100C
	Filter mesh 200 µm	DN 65	AF78TS-065D
		DN 80	AF78TS-080D
		DN 100	AF78TS-100D
2	Replacement sieve	DN 65	ES78TS-065A
		DN 80	ES78TS-080A
		DN 100	ES78TS-100A
	Filter mesh 20 µm	DN 65	ES78TS-065B
		DN 80	ES78TS-080B
		DN 100	ES78TS-100B
	Filter mesh 50 µm	DN 65	ES78TS-065C
		DN 80	ES78TS-080C
		DN 100	ES78TS-100C
	Filter mesh 200 µm	DN 65	ES78TS-065D
		DN 80	ES78TS-080D
		DN 100	ES78TS-100D
3	Pressure gauge		
	0 - 16 bar, G1/4"		M78M-A16
	0 - 16 bar, G1/4" with memory indicator		M78M-A16MR
	4	Seal set complete	DN 65
DN 80			SOS78TS-080
DN 100			SOS78TS-100
5	Ball valve		5622100

Automation and Control Solutions

Honeywell GmbH
 Hardhofweg
 74821 MOSBACH
 GERMANY
 Phone: (49) 6261 810
 Fax: (49) 6261 81309
<http://ecc.emea.honeywell.com>

Manufactured for and on behalf of the
 Environmental and Combustion Controls Division
 of Honeywell Technologies Sàrl, Z.A. La Pièce 16,
 1180 Rolle, Switzerland by its Authorised Representative Honeywell GmbH

EN0H-1178GE23 R0315
 Subject to change without notice
 © 2015 Honeywell GmbH

Honeywell