



## CONSTRUCTION

Overview	Components	Materials	
	1	2 pressure gauges (1x inlet 1x outlet including memory indicator)	Metal
	2	Housing with pressure gauge ports (1x inlet, 2x outlet)	Ductile cast iron (EN-GJS-400-15 EN 1563), coated with PA (polyamide)
	3	Filter bowl	Ductile cast iron (EN-GJS-400-15 EN 1563), coated with PA (polyamide)
	4	Ball valve with lever and drain funnel	Ball Valve body: Brass chrome plated Ball: Brass chrome plated Drain adapter: Plastic
	5	Extension flanges for the connection size DN125	Ductile Cast Iron
<b>Not depicted components</b>			
	Inner parts	Stainless steel, red bronze, brass and plastic	
	Fine filter	Stainless steel	

\* Extension flanges for the connection size DN125: F78TS DN125 = 1 pcs.F78TS-100FA/FB/FC/FD + 2 pcs. EXF125-A.  
The extension flanges have to be ordered separately.

## METHOD OF OPERATION

The filter insert is divided into two parts. In the filtering position, only the lower, larger section is used for filtering. The small upper section does not come in contact with unfiltered water. An oscillating flap integrated in the sieve prevents the deposition of dirt particles on the upper part of the filter. When the ball valve is opened for reverse rinsing, then the whole filter insert is pushed downwards until the water supply to the outer side of the main filter is stopped. Simultaneously, the water flow is opened to the upper part of the filter. The water needed for cleaning the filter passes through the upper filter section, then the rotating impeller with jets and the main filter from inside to outside, i.e. the filter is reverse rinsed with filtered water. The filter automatically switches back to the operating position when the ball valve is closed again.

## TRANSPORTATION AND STORAGE

Keep parts in their original packaging and unpack them shortly before use.

The following parameters apply during transportation and storage:

Parameter	Value
Environment:	clean, dry and dust free
Min. ambient temperature:	5 °C
Max. ambient temperature:	55 °C
Min. ambient relative humidity:	25 % *
Max. ambient relative humidity:	85 % *

\*non condensing

## INSTALLATION GUIDELINES

### Setup requirements

Install in horizontal pipework with filter bowl downwards

This position ensures optimum filter efficiency

Install shut-off valves

These filters are armatures which need to be maintained regularly

Ensure good access

Pressure gauge can be read off easily

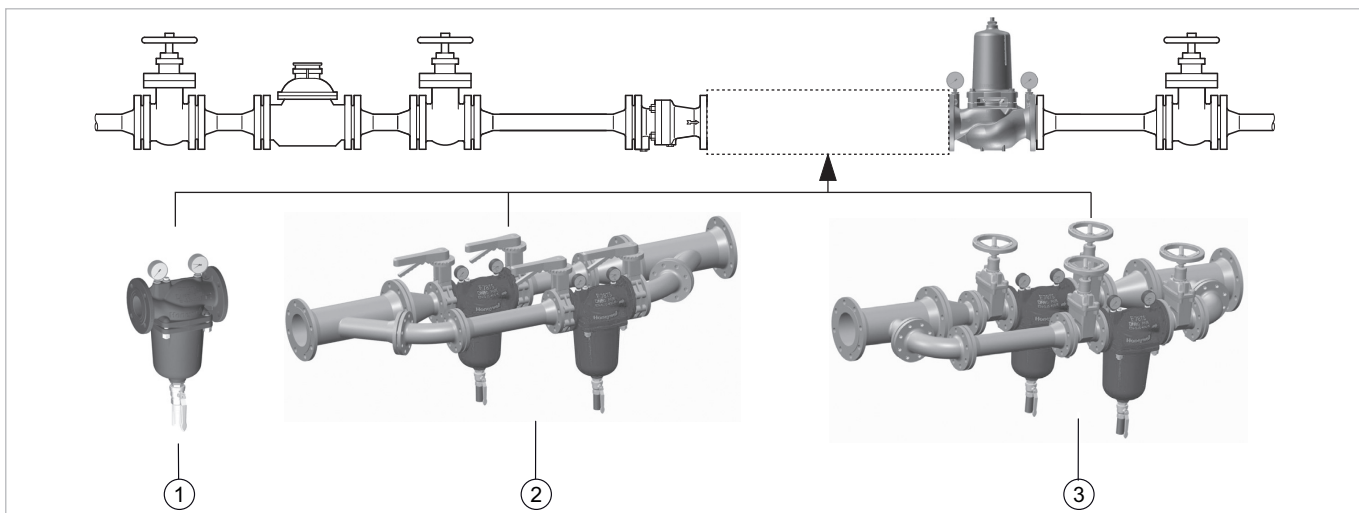
Simplifies maintenance and inspection

The installation location should be protected against frost

Related to the EN 806-2 it is recommended to install the filter immediately after the water meter

In order to avoid flooding, it is recommended to arrange a permanent, professionally dimensioned wastewater connection

Installation Example



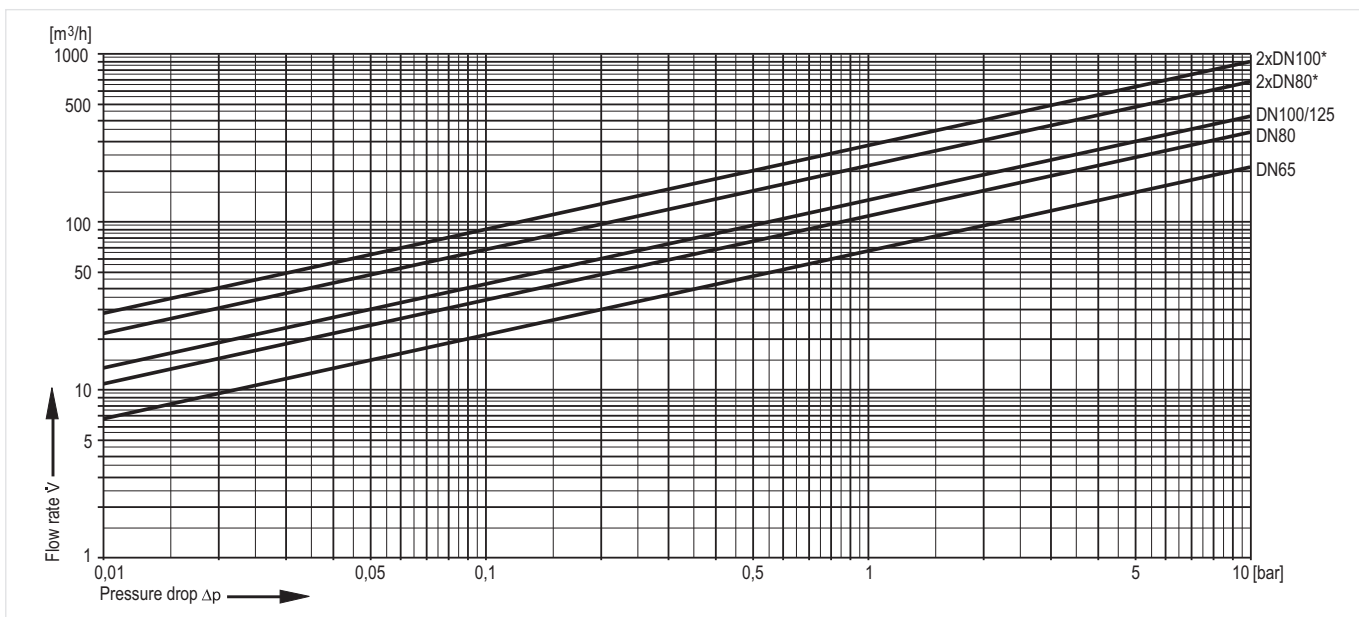
- 1 Single filter
- 2 2 filters parallel 45°
- 3 2 filters parallel 90°

TECHNICAL CHARACTERISTICS

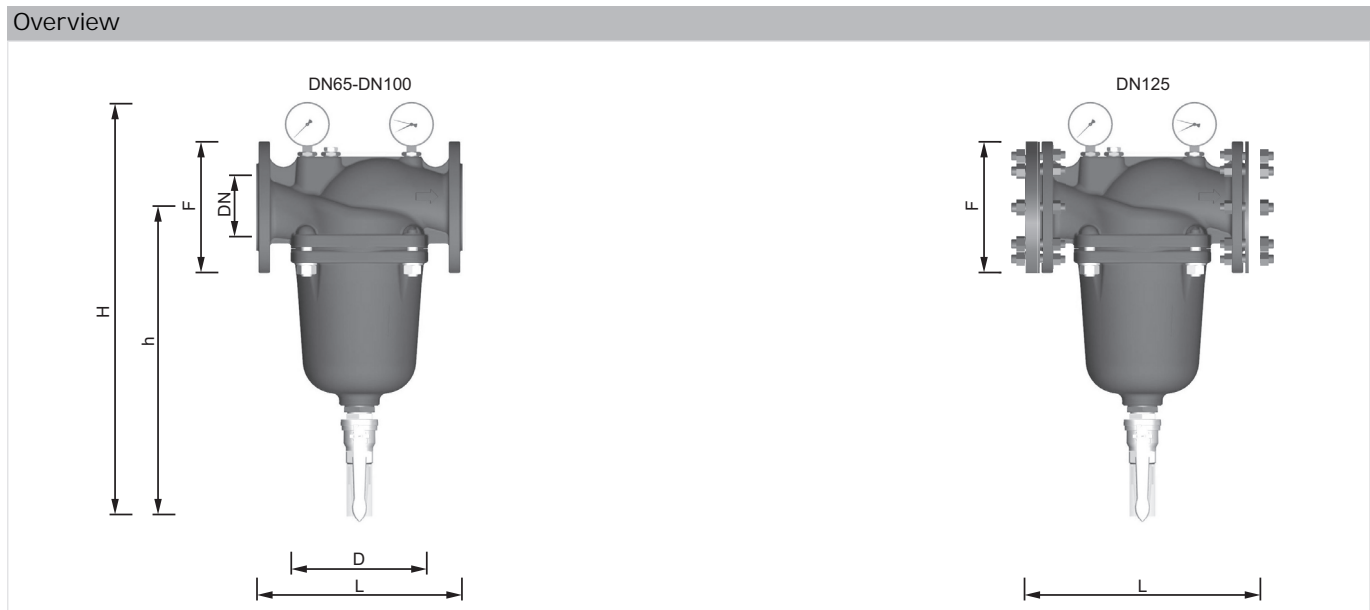
kvs-Values

	Single filter				2 filters parallel	
Connection sizes:	65	80	100	125	80	100
k <sub>VS</sub> -value (m <sup>3</sup> /h):	69	113	145	145	226	290

Pressure drop characteristics



## DIMENSIONS



Parameter		Values					
		Single filter*				2 filters parallel	
Nominal sizes:	DN	65	80	100	125	80	100
Weight:	kg	25	35	43	65	n.a	n.a
Dimensions DN65-DN100:	L	290	310	350	420	n.a	n.a
	H	581	665	767	767	n.a	n.a
	h	434	508	610	610	n.a	n.a
	D	193	230	247	247	n.a	n.a
	F	185	200	220	250	n.a	n.a
Flow value at $p=0.2$ bar:	m <sup>3</sup> /h	30	48	60	60	96	120
Flow value at $p=0.5$ bar:	m <sup>3</sup> /h	48	78	100	100	156	200
DVGW registration number:		NW-9301CR0186			-	-	-

Note: All dimensions in mm unless stated otherwise.

\* DN125 with 2 pcs. extension flanges (2 x EXF125-A to be ordered separately)

## ORDERING INFORMATION

The following tables contain all the information you need to make an order of an item of your choice. When ordering, please always state the type, the ordering or the part number.

### Options

The filter is available in the following sizes: DN65, DN80 and DN100.

- standard
- not available




		F78TS-...FA	F78TS-...FB	F78TS-...FC	F78TS-...FD
Connection type:	Filter mesh size 100 m		-	-	-
	Filter mesh size 20 m	-		-	-
	Filter mesh size 50 m	-	-		-
	Filter mesh size 200 m	-	-	-	

Note: ... = space holder for connection size

Note: Ordering number example for DN65 and type FA valve: F78TS-65FA

Note: Filters with other mesh widths available on request

## Accessories

	Description	Dimension	Part No.
	Z11AS Automatic reverse rinsing actuator For automatic reverse rinsing of the filter at presettable intervals		
	230 V, 50/60 Hz, 10 W with moulded Schuko electrical plug		Z11AS-1A
	24 V, 50/60 Hz, 10 W without electrical plug		Z11AS-1B
	230 V, 50/60 Hz, 10 W with moulded Type 12 electrical plug Switzerland		Z11AS-1Z
	DDS76 Differential pressure switch		
		DN65/80/100	DDS76-1
	EXF125-A Extension flange DN125		
	Adapter flanges DN100 to DN125 Ductile iron, PN16 acc. ISO 7005-2 and EN1092-2. Overall length with adapter flanges (without bolts) DN125 L=416mm, DVGW approved, including bolts, nuts and the seal disc.		
			EXF125-A

