



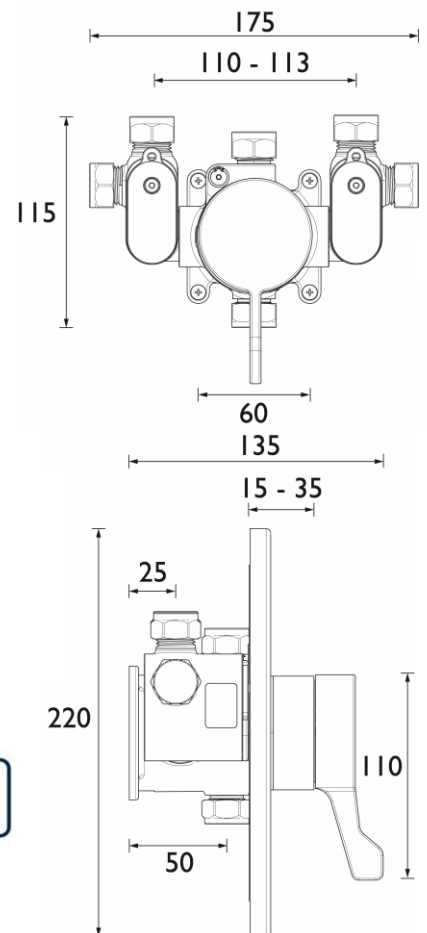
The Oast, 62 Bell Road
Sittingbourne, Kent, ME10 4HE
T: 01795 423400 F: 01795 436070
E: info@therodingroup.co.uk W: www.therodingroup.co.uk

TECHNICAL DATASHEET - COMMERCIAL

THERMOSTATIC CONCEALED SHOWER VALVE WITH CHROME LEVER

Product Specification

Product Code:	TS3650 CL C
Finish:	Chrome Plated
Product Type:	Commercial
Construction:	Body is of brass construction
No of Controls:	1
Valve/Cartridge Type:	Sequential Thermostatic Cartridge
Supply:	Suitable for all plumbing systems (Preferably balanced)
Inlet Connections:	15mm compression elbows
Outlet Connections:	G½"
Working Pressures:	Min 0.2bar, Max 5.0bar
Isolation Valves:	Included
Check Valve:	Included
Dimensions for Fitting:	140-160mm inlet centres



Additional Information

- Single sequential control for both temperature & flow.
- Automatic thermostatic shut-off in the event hot or cold water failure.
- High performance even at low pressure
- Check valves and serviceable filters as standard
- Supplied as 'valve only' ready to be customised by selecting a water saving hand-held shower head along with other accessories from our showering range. For exposed shower configurations see **TS3650 EL C** and **TS3650TO EL C**.
- Inlet centres between 110-113mm +/- 1mm.

Technical Advice: For further information please call 01795 423400 or email info@therodingroup.co.uk

Guarantee: 1 year covering manufacturing faults.

Compliance / Approvals

WRAS: Certificate N^o: 2005903

TMV2: Certificate N^o: NSF2276/0920

TMV3: Certificate N^o: NSF2277/0720

