

Braukmann F76S-LF

Lead-free reverse rinsing fine filter

Application

F76S-LF reverse rinsing filters ensure a continuous supply of filtered water. The fine filter prevents the ingress of foreign bodies, for example rust particles, strands of hemp and grains of sand and thus reduces the probability of corrosion. The appliances correspond to the requirements of current DIN/DVGW specifications.

Approvals

- DVGW in progress
- SVGW in progress

approval for all filters with 100 µm mesh sizes

Special Features

- LEAD-FREE: Pb content of all materials less than 0.1 %
- Double Spin Technology for connection sizes 1/2" to 1 1/4"; cartridge with external rotor enabling simultaneous cleaning in lower and upper filter areas; visual function check possible
- Filtered water supplied even during reverse rinsing
- Patented reverse rinsing system - fast and thorough cleaning of the filter with small amount of water
- Memory ring indicates when next manual reverse rinsing is due
- Automatic reverse rinsing actuator with ISO-flange connector can be retrofitted
- Large filter surface
- Shock resistant clear synthetic material filter bowl enables easy checking of filter contamination
- Filter and complete filter bowl are replaceable
- Also available without connections
- Standardised discharge connection
- All materials are KTW approved
- Approved by TÜV LGA for low noise, Group 1 without limitations
- 5-year warranty

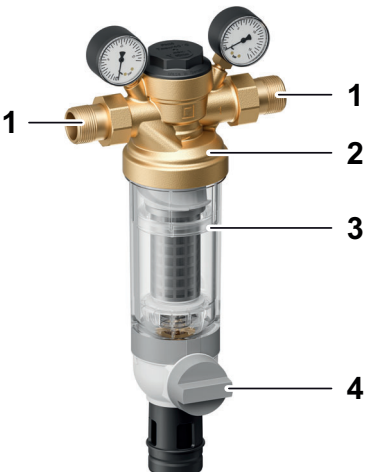


Technical Data

Media	
Medium:	Drinking water
Connections/Sizes	
Connection sizes:	1/2" - 2"
Pressure values	
Max. operating pressure with clear filter bowl:	1.5 - 16 bar
Max. operating pressure with lead free brass filter bowl:	1.5 - 25 bar
Operating temperatures	
Operating temperature range medium accord. to EN 1567:	5 °C - 30 °C
Max. operating temperature medium (clear filter bowl):	40 °C
Max. operating temperature medium (lead free brass filter bowl):	70 °C
Specifications	
Installation position:	Horizontal, with filter bowl downwards

The Rodin Group Ltd
The Oast, 62 Bell Road
Sittingbourne, Kent, ME10 1YG
T: 01795 423400 F: 01795 436070
E: info@therodingroup.co.uk W: www.therodingroup.co.uk

Construction

Overview	Components	Materials	
	1	Threaded male connections (versions AA and AAM)	Lead-free brass
	2	Housing with pressure gauge connections on both sides	Lead-free brass
	3	Fine filter in clear filter bowl (versions AA) Filter in lead-free brass filter bowl (version AAM)	Stainless steel fine filter, shock-resistant, clear transparent synthetic material or lead-free brass filter bowl
	4	Ball valve with drain connection	Lead-free brass (Ball Valve body), Stainless steel (ball), Plastic-durethan (drain adapter)
Not depicted components:			
	Double wring wrench	Plastic	
	Seals	EPDM	

Method of Operation

The filter insert is divided into two parts. In the "filtering" position, only the lower, larger section is rinsed through by water jets from outside to inside. The small upper section does not come in contact with unfiltered water. When the ball valve is opened for reverse rinsing, then the whole filter insert is pushed downwards until the water supply to the outer side of the main filter is stopped. Simultaneously, the water flow is opened to the upper part of the filter. The water needed for cleaning the filter passes through the upper filter section, then the rotating impeller and the main filter from inside to outside, i.e. the filter is reverse rinsed with filtered water. In that way the upper filter is also cleaned by jets from the impeller. The filter automatically switches back to the operating position when the ball valve is closed again.

Filters with Double Spin Technology have turbine blades which circulate the water and thereby set the rotor on the upper filter into a rotational motion. The internal impeller rinses off particles that have adhered to the upper filter at the intersecting points with the rotor.

Transportation and Storage

Keep parts in their original packaging and unpack them shortly before use.

The following parameters apply during transportation and storage:

Parameter	Value
Environment:	clean, dry and dust free
Min. ambient temperature:	5 °C
Max. ambient temperature:	55 °C
Min. ambient relative humidity:	25 % *
Max. ambient relative humidity:	85 % *

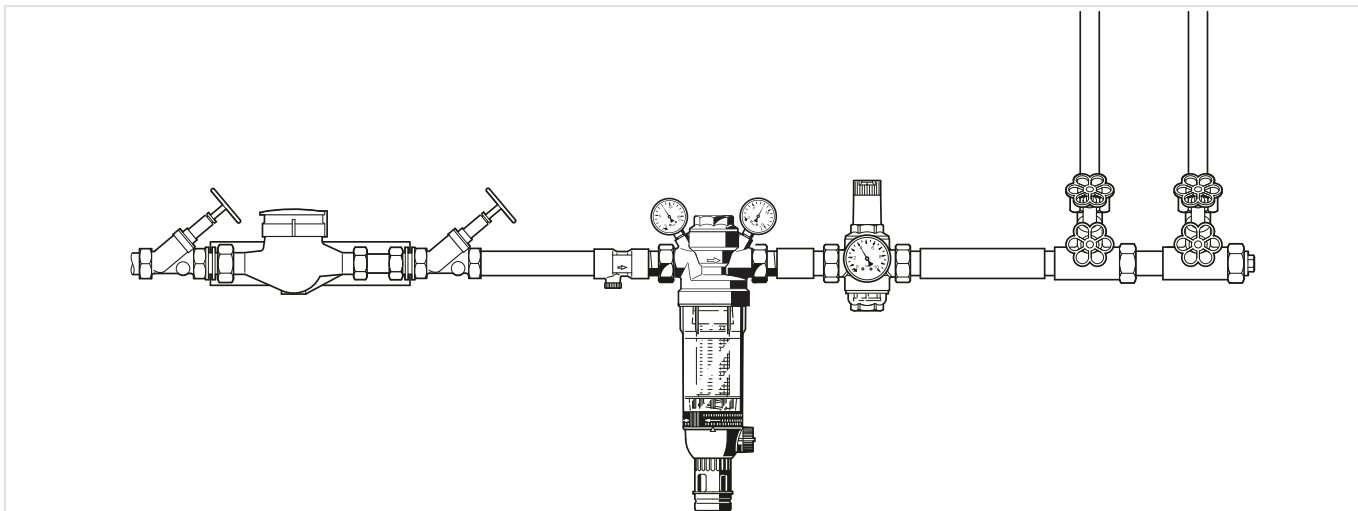
*non condensing

Installation Guidelines

Setup requirements

- Install in horizontal pipework with filter bowl downwards
 - This position ensures optimum filter efficiency
- Install shut-off valves
- These filters are armatures which need to be maintained regularly
- Ensure good access (consider EN1717 requirements)
 - Pressure gauge can be read off easily
 - Degree of contamination can be easily seen with clear filter bowl
 - Simplifies maintenance and inspection
- The installation location should be protected against frost
- Related to the EN 806-2 it is recommended to install the filter immediately after the water meter
- In order to avoid flooding, it is recommended to arrange a permanent, professionally dimensioned wastewater connection

Installation Example

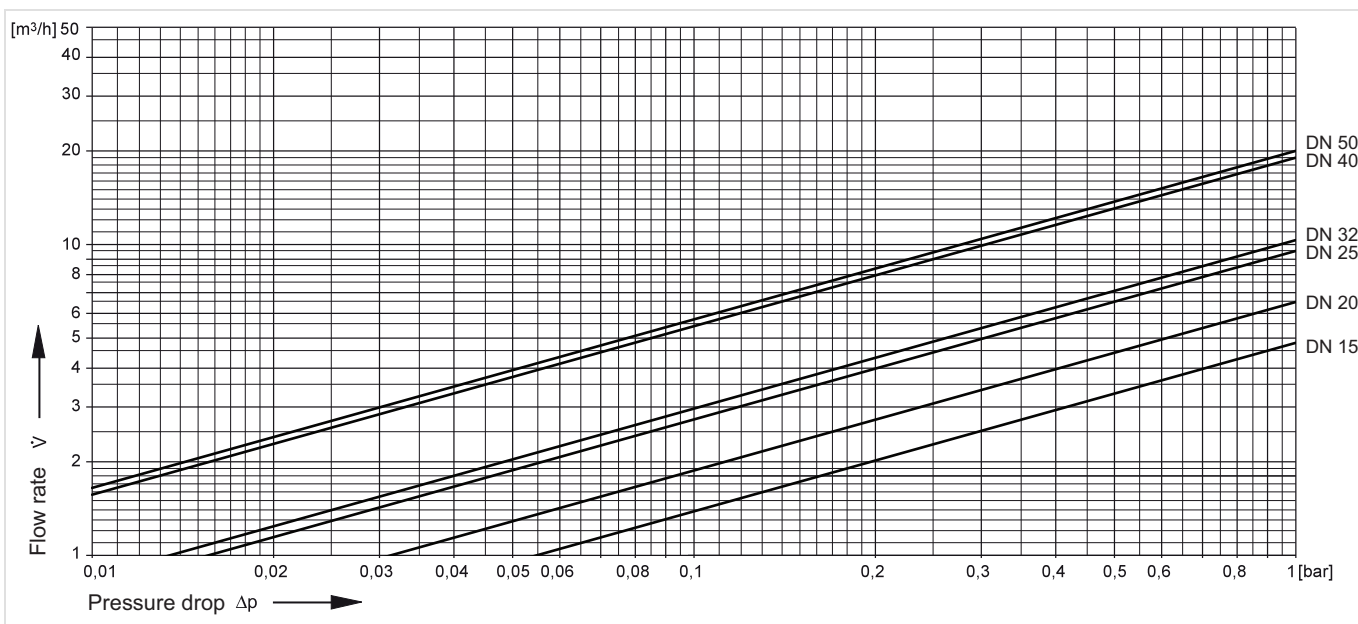


Technical Characteristics

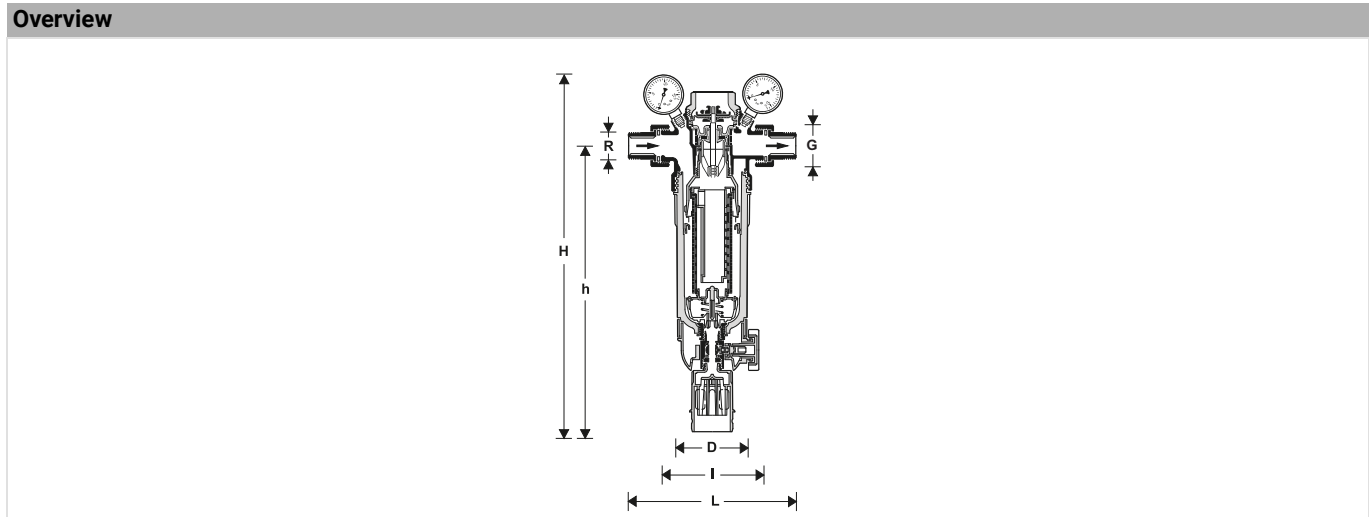
kvs-Values

Connection size:	DN15	DN20	DN25	DN32	DN40	DN50
k _{VS} -Value:	4.8	6.5	9.5	10.1	19	20

Pressure drop characteristics



Dimensions



Parameter		Values					
Nominal size diameter:	DN	15	20	25	32	40	50
Connection size:	R	1/2"	3/4"	1"	1 1/4"	1 1/2"	2"
	G	1"	1"	1 1/4"	1 1/2"	2"	2 1/2"
Weight:	kg	2.9	2.9	3.1	3.3	4.0	4.8
Dimensions:	L	170	178	209	222	246	267
	I	110	110	130	130	150	150
	H	426	426	439	439	520	520
	h	350	350	351	351	417	417
	D	97	97	97	97	120	120
Flow value at $\Delta p=0.5$ bar:	m ³ /h	3.3	4.2	6.5	7	13.5	14
Double Spin Technology:		Yes	Yes	Yes	Yes	No	No

Note: All dimensions in mm unless stated otherwise.

Ordering Information

The following tables contain all the information you need to make an order of an item of your choice.

Options

Connection size	Filter mesh size*)	Temperature	Filter bowl	Item No.
1/2"	100 µm	30 °C	Transparent	F76S-1/2LFAA
1/2"	100 µm	70 °C	Lead-free brass	F76S-1/2LFAAM
1/2"	20 µm	30 °C	Transparent	F76S-1/2LFAB
1/2"	50 µm	30 °C	Transparent	F76S-1/2LFAC
1/2"	50 µm	70 °C	Lead-free brass	F76S-1/2LFACM
3/4"	100 µm	30 °C	Transparent	F76S-3/4LFAA
3/4"	100 µm	70 °C	Lead-free brass	F76S-3/4LFAAM
3/4"	20 µm	30 °C	Transparent	F76S-3/4LFAB
3/4"	50 µm	30 °C	Transparent	F76S-3/4LFAC
3/4"	50 µm	70 °C	Lead-free brass	F76S-3/4LFACM
1"	100 µm	30 °C	Transparent	F76S-1LFAA
1"	100 µm	70 °C	Lead-free brass	F76S-1LFAAM
1"	20 µm	30 °C	Transparent	F76S-1LFAB
1"	50 µm	30 °C	Transparent	F76S-1LFAC
1"	50 µm	70 °C	Lead-free brass	F76S-1LFACM
1 1/4"	100 µm	30 °C	Transparent	F76S-11/4LFAA
1 1/4"	100 µm	70 °C	Lead-free brass	F76S-11/4LFAAM
1 1/4"	20 µm	30 °C	Transparent	F76S-11/4LFAB
1 1/4"	50 µm	30 °C	Transparent	F76S-11/4LFAC
1 1/4"	50 µm	70 °C	Lead-free brass	F76S-11/4LFACM
1 1/2"	100 µm	30 °C	Transparent	F76S-11/2LFAA
1 1/2"	100 µm	70 °C	Lead-free brass	F76S-11/2LFAAM
1 1/2"	20 µm	30 °C	Transparent	F76S-11/2LFAB
1 1/2"	50 µm	30 °C	Transparent	F76S-11/2LFAC
1 1/2"	50 µm	70 °C	Lead-free brass	F76S-11/2LFACM
2"	100 µm	30 °C	Transparent	F76S-2LFAA
2"	100 µm	70 °C	Lead-free brass	F76S-2LFAAM
2"	20 µm	30 °C	Transparent	F76S-2LFAB
2"	50 µm	30 °C	Transparent	F76S-2LFAC
2"	50 µm	70 °C	Lead-free brass	F76S-2LFACM

*) approvals for all filters with 100 µm mesh sizes

Accessories

	Description	Dimension	Item No.
	RR11S Automatic reverse rinsing actuator For automatic filter cleaning at presettable intervals		
	230 V, 50/60 Hz, with BMS connection; wall power adaptor EU		RR11S-A
	230 V, 50/60 Hz, with BMS connection; wall power adaptor UK		RR11S-AGB
	ZR10K Double ring wrench for removing the filter bowl		
		1/2" + 3/4"	ZR10K-3/4
		1" + 1 1/4"	ZR10K-1
	URS Retrofit kit F76S/HS10S		
	for filter Bowl up to May 2025 with backwash actuator RR11S	1/2" - 1 1/4"	URS-1AR
	for filter Bowl up to May 2025 with backwash actuator RR11S	1 1/2" - 2"	URS-11/2AR
	for filter Bowl from June 2025 on with backwash actuator Z11S	1/2" - 1 1/4"	URS-1NZ
	D06FB Retrofit pressure reducing valve		
			D06FB-1/2A
			D06FB-1A
	VST06B Connection set		
	Solder connections		
		1/2"	VST06-1/2B
		3/4"	VST06-3/4B
		1"	VST06-1B
		1 1/4"	VST06-11/4B
	FT76S Lead-free brass filter bowl		
	For temperatures up to 70°C and operating pressures up to 25.0 bar		
		1/2" - 1 1/4"	FT76S-1LFAM
	1 1/2" - 2"	FT76S-11/2LFAM	

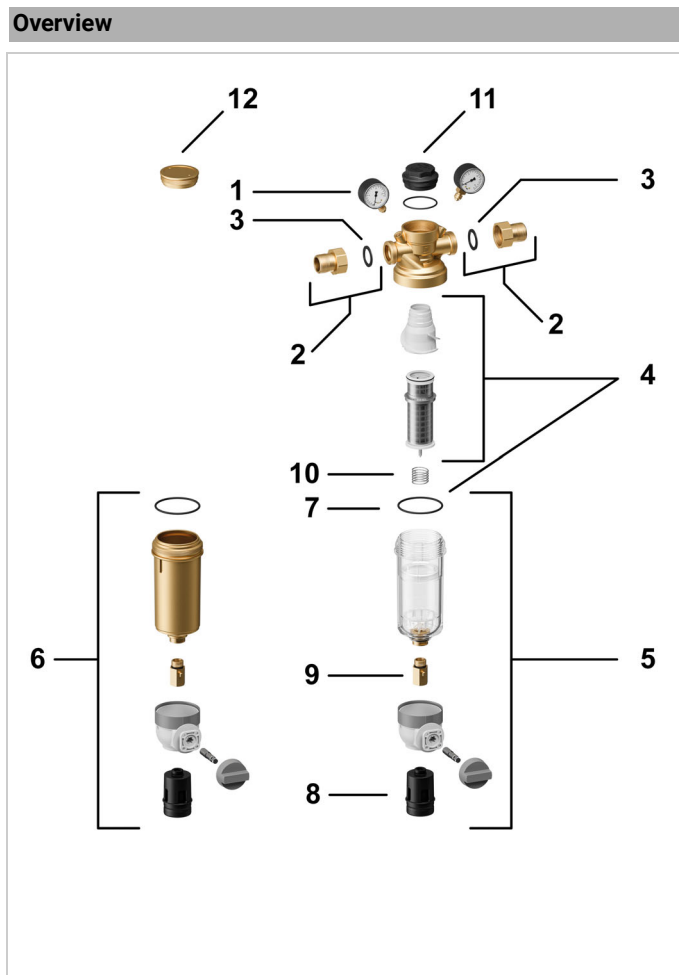
Spare Parts

F76S Fine Filters from June 2025 onwards

Overview	Description	Dimension	Item No.	
	1 Pressure gauges			
		0 - 10 bar	M38K-LFA10	
		0 - 16 bar	M38K-LFA16	
		0 - 25 bar	M38K-LFA25	
	2 Connection set threaded connection			
	Lead-free brass	1/2"	VST06-1/2LFA	
	Lead-free brass	3/4"	VST06-3/4LFA	
	Lead-free brass	1"	VST06-1LFA	
	Lead-free brass	1 1/4"	VST06-11/4LFA	
	Lead-free brass	1 1/2"	VST06-11/2LFA	
	Lead-free brass	2"	VST06-2LFA	
	3 Union seal washer (10 pcs.)			
		1/2" + 3/4"	0901444	
		1"	0901445	
		1 1/4"	0901446	
		1 1/2"	0901447	
		2"	0901448	
	4 Filter insert complete*			
	Filter mesh size: 100 µm	1/2" - 3/4"	AF11S-1/2A	
	Filter mesh size: 100 µm	1" - 1 1/4"	AF11S-1A	
	Filter mesh size: 100 µm	1 1/2" - 2"	AF11S-11/2A	
	Filter mesh size: 20 µm	1/2" - 3/4"	AF11S-1/2B	
	Filter mesh size: 20 µm	1" - 1 1/4"	AF11S-1B	
	Filter mesh size: 20 µm	1 1/2" - 2"	AF11S-11/2B	
	Filter mesh size: 50 µm	1/2" - 3/4"	AF11S-1/2C	
	Filter mesh size: 50 µm	1" - 1 1/4"	AF11S-1C	
	Filter mesh size: 50 µm	1 1/2" - 2"	AF11S-11/2C	
	Filter mesh size: 200 µm	1/2" - 3/4"	AF11S-1/2D	
	Filter mesh size: 200 µm	1" - 1 1/4"	AF11S-1D	
	Filter mesh size: 200 µm	1 1/2" - 2"	AF11S-11/2D	
	Filter mesh size: 300 µm	1/2" - 3/4"	AF11S-1/2E	
	Filter mesh size: 300 µm	1" - 1 1/4"	AF11S-1E	
	Filter mesh size: 300 µm	1 1/2" - 2"	AF11S-11/2E	
	Filter mesh size: 500 µm	1/2" - 3/4"	AF11S-1/2F	
	Filter mesh size: 500 µm	1" - 1 1/4"	AF11S-1F	
	Filter mesh size: 500 µm	1 1/2" - 2"	AF11S-11/2F	
	Filter insert complete*, for filters with Double Spin Technology			
	Filter mesh size: 100 µm	1/2" - 3/4"	AF11DS-1/2A	
	Filter mesh size: 100 µm	1" - 1 1/4"	AF11DS-1A	
	Filter mesh size: 20 µm	1/2" - 3/4"	AF11DS-1/2B	
Filter mesh size: 20 µm	1" - 1 1/4"	AF11DS-1B		
Filter mesh size: 50 µm	1/2" - 3/4"	AF11DS-1/2C		
Filter mesh size: 50 µm	1" - 1 1/4"	AF11DS-1C		
Filter mesh size: 200 µm	1/2" - 3/4"	AF11DS-1/2D		
Filter mesh size: 200 µm	1" - 1 1/4"	AF11DS-1D		
Filter mesh size: 300 µm	1/2" - 3/4"	AF11DS-1/2E		
Filter mesh size: 300 µm	1" - 1 1/4"	AF11DS-1E		
Filter mesh size: 500 µm	1/2" - 3/4"	AF11DS-1/2F		
Filter mesh size: 500 µm	1" - 1 1/4"	AF11DS-1F		

*The filter guide (either with double spin or without double spin feature) is included in the packaging of the replacement filter inserts (AF11DS and AF11S) only for the sizes 1/2" up to 1 1/4"!

Note: 5 - 12 see on page 8



Overview	Description	Dimension	Item No.
5	Clear filter bowl	1/2" - 1 1/4"	KF11S-1LFA
		1 1/2" - 2"	KF11S-11/2LFA
6	Lead-free brass filter bowl	1/2" - 1 1/4"	FT76S-1LFAM
		1 1/2" - 2"	FT76S-11/2LFAM
7	O-ring set (10 pcs.)	1/2" - 1 1/4"	0900747
		1 1/2" - 2"	0900748
8	Drain connector	1/2" - 2"	AA76-1/2A
9	Ball valve complete		
	lead-free	1/2" - 2"	KH11S-1LFA
10	Spring		
		1/2" - 1 1/4"	2074900
		1 1/2" - 2"	2159400
11	Top cap for F76S from June 2025 on		
	High synthetic plastic material	1 1/2" - 1 1/4"	DF76-1/2K
	High synthetic plastic material	1" - 1 1/4"	DF76-1K
	High synthetic plastic material	1 1/2" - 2"	DF76-11/2K
12	Top cap for F76S from June 2025 on		
	Lead-free brass	1 1/2" - 1 1/4"	DF76-1/2LFM
	Lead-free brass	1" - 1 1/4"	DF76-1LFM
	Lead-free brass	1 1/2" - 2"	DF76-11/2LFM

Note: 1 - 4 see on page 7

The Oast, 62 Bell Road,
 Sittingbourne, Kent ME10 4HE
 T: 01795 423400
 E: info@therodgroup.co.uk W: www.therodgroup.co.uk

The Rodin Group Ltd
 the water experts



resideo

Ademco 1 GmbH, Hardhofweg 40,
 74821 MOSBACH, GERMANY
 Phone: +49 6261 810

Manufactured for and on behalf of
 Pittway Sàrl, Z.A., La Pièce 6,
 1180 Rolle, Switzerland
 by its authorised representative
 Ademco 1 GmbH

Subject to change. EN0H-1110GE23 R0425
 © 2025 Resideo Technologies, Inc.
 All rights reserved.

For more information
 resideo.com

This document contains proprietary
 information of Pittway Sàrl and its
 affiliated companies and is protected

by copyright and other international laws. Reproduction or improper use without
 specific written authorization of Pittway Sàrl is strictly forbidden.