

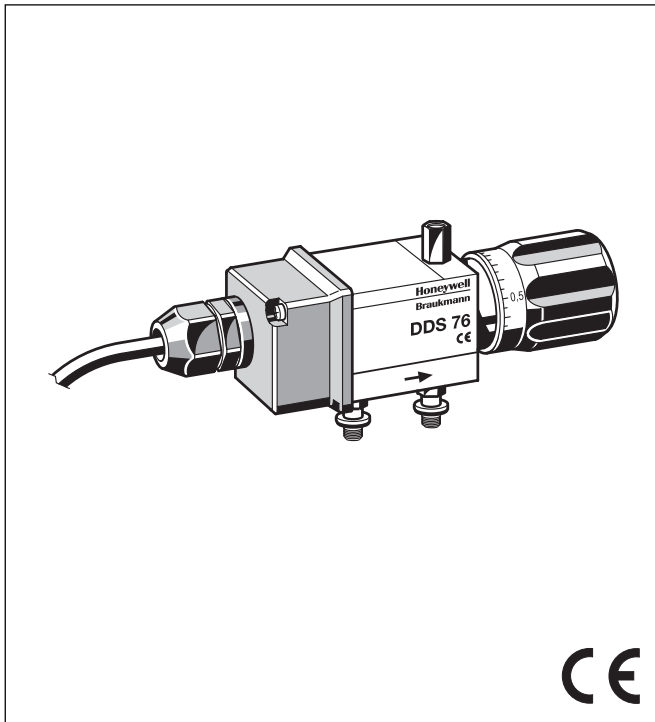
Braukmann DDS76

Differential Pressure Switch



RODIN

Product specification sheet



Materials

- High quality synthetic material housing

Construction

Suitable for:

- F76S fine filters
 - In conjunction with the Z11S automatic reverse rinsing actuator
- F76S-F fine filters with flanges
 - In conjunction with the Z11AS automatic reverse rinsing actuator

	for F76S	for F78TS
DDS76-1/2	1/2" + 3/4"	—
DDS76-1	1" + 1 1/4"	DN 65/80/100
DDS76-1 1/2	1 1/2" + 2"	—

Application

The DDS76 differential pressure switch takes over control of the reverse rinsing operation on the Honeywell Braukmann F76S and F76S-F filters in conjunction with an automatic reverse rinsing actuator with volt-free contacts.

Special Features

- Easy setting of the differential pressure
- Simple installation
- Reliable, tried and tested

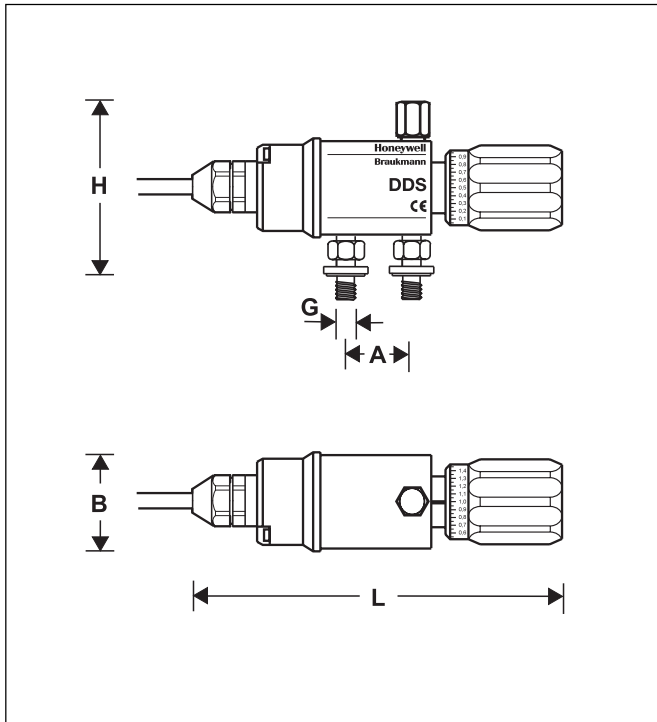
Range of Application

Medium	Water
Setting range	0.1 to 1.6 bar (set at 1.0 bar during manufacture)

Technical Data

Cable:	1 meter with connector bush
Maximum static pressure*:	25 bar
Maximum static operating pressure*:	16.0 bar
Maximum permissible temperature of medium:	+ 70 °C
Maximum permissible ambient temperature:	+ 80 °C
Microswitch hysteresis:	Approximately 2 %
Maximum microswitch loading:	U _{max} = 24 V I _{max} = 0.8 A P _{max} = 19.2 W

* Trouble-free operation of the unit is only assured up to a pressure of 16.0 bar. It can withstand pressures up to 25.0 bar without damage, but the switching function cannot then be guaranteed.



Method of Operation

The DDS76 differential pressure switch actuates the reverse rinsing operation by comparing the pressures before and after the filter mesh. If the differential pressure rises above the set value, then the automatic reverse rinsing actuator is operated via its volt-free contacts.

Connection sizes	R	1/2"	1"	1 1/2"
Weight	(kg)	0.9	0.9	0.9
Dimensions	(mm)			
	A	28	33	41
	B	44	44	44
	H	77	77	77
	L	160	160	160
	G	G 1/4"	G 1/4"	G 1/4"

