



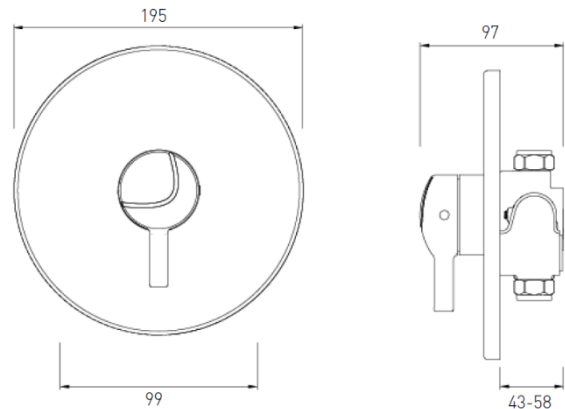
The Oast, 62 Bell Road  
Sittingbourne, Kent, ME10 4HE  
T: 01795 423400 F: 01795 436070  
E: info@therodingroup.co.uk W: www.therodingroup.co.uk

## TECHNICAL DATASHEET - COMMERCIAL

### MINI THERMOSTATIC CONCEALED SHOWER VALVE WITH CHROME LEVER

#### Product Specification

<b>Product Code:</b>	TS1203 CL C
<b>Finish:</b>	Chrome
<b>Product Type:</b>	Commercial
<b>Construction:</b>	Body is of brass construction and is designed to conform to BS EN 1111:1999 (HP) & BS EN 1287:1999 (LP)
<b>Valve Type:</b>	Thermostatic Cartridge
<b>Supply:</b>	Suitable for all plumbing systems (Preferably balanced)
<b>Inlet Connections:</b>	15mm compression elbows
<b>Outlet Connections:</b>	½" BSP
<b>Working Pressures:</b>	Min 0.2bar, Max 8.0bar Maximum Static Pressure: 10.0 bar
<b>Dimensions for Fitting:</b>	99mm inlet centres



#### Additional Information

- Single sequential control for both temperature & flow.
- Anti-vandal stainless steel concealing plate
- Automatic thermostatic shut-off in the event of hot or cold water failure.
- Check valves and serviceable filters as standard
- Supplied as 'valve only' and thus can be customised by selecting a water saving wall-mounted shower head from our showering range.
- Inlet centres of 99mm +/- 1mm.
- Chrome plated to BS EN 248.

Suitable for wall cavity depths of between 43-58mm

**Technical Advice:** For further information please call 01795 423400 or email info@therodingroup.co.uk

**Guarantee:** 1 year covering manufacturing faults.



#### Compliance / Approvals

<b>WRAS:</b>	Certificate N°:	1404020		
<b>TMV2:</b>	Certificate N°:	BC1272/1013	<b>TMV2:</b>	Certificate N°: BC1288/1013

#### Flow Rates (litres per minute)

System Pressure	0.2bar	0.6bar	1bar	2bar	3bar	4bar	5bar
Open Outlet	12.0	22.0	29.0	42.0	52.0	60.0	66.0